

**WARN:**

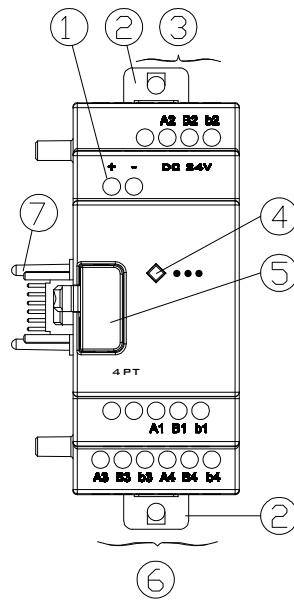
**Unintentional equipment operation.**

The application of this product requires know-how in design and program of control system.

Only persons qualified are allowed to program, install and apply this product.

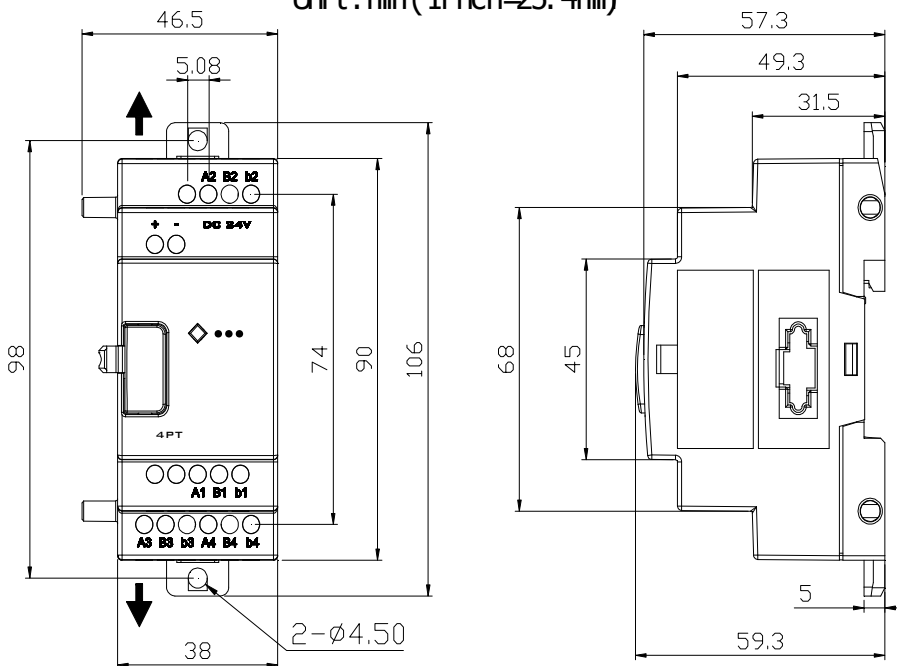
If the temperature is outside the following range: -100°C~600°C, M34,M35,M36,M36 which correspond channel1,channel2,channel3,channel4 will be on.

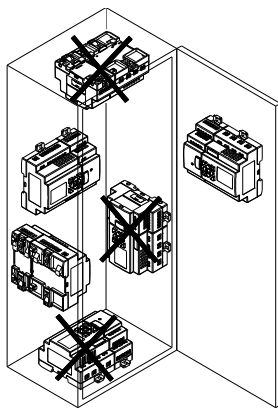
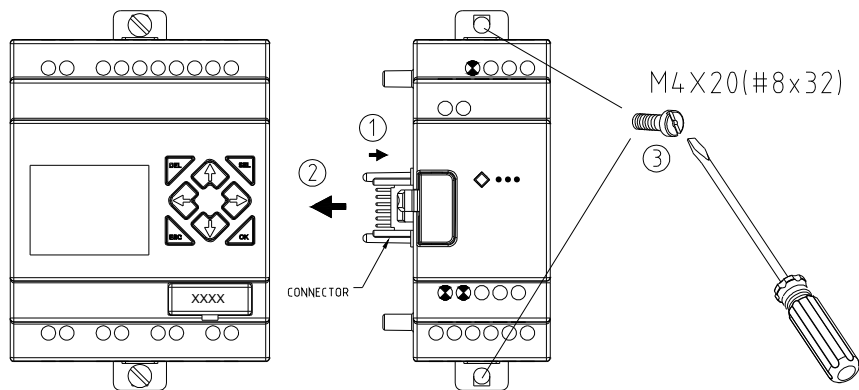
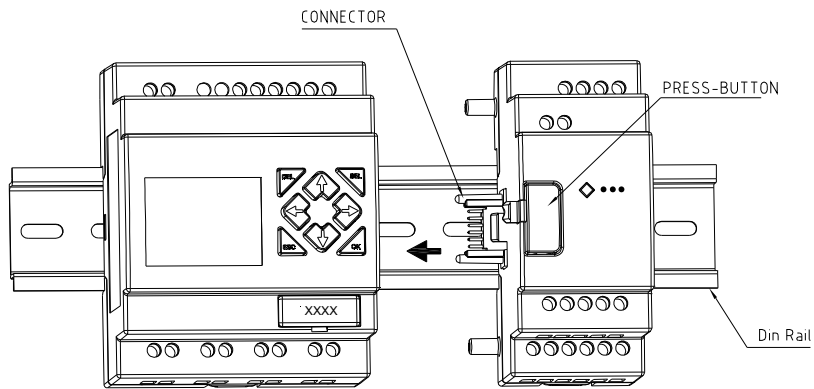
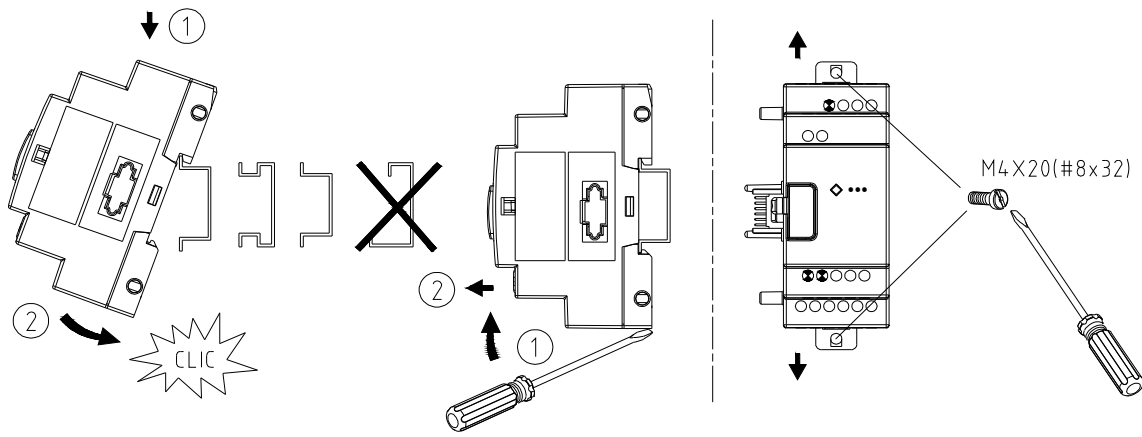
**Failure to follow this instruction will result in death, serious injury or equipment damage.**



- ①Power supply terminals
- ②Retractable mounting feet
- ③Input terminals
- ④Voltage/Operating mode orange signaling LED
- ⑤Press-button
- ⑥Relay output terminals
- ⑦Connector

Unit : mm (1 inch=25.4mm)





mm <sup>2</sup>	0.14...1.5	0.14...0.75	0.14...2.5	0.14...2.5	0.14...1.5
AWG	26...16	26...18	26...14	26...14	26...16
	C				
∅ 3.5 (0.14in)					Nm
		lb-in	5.4		

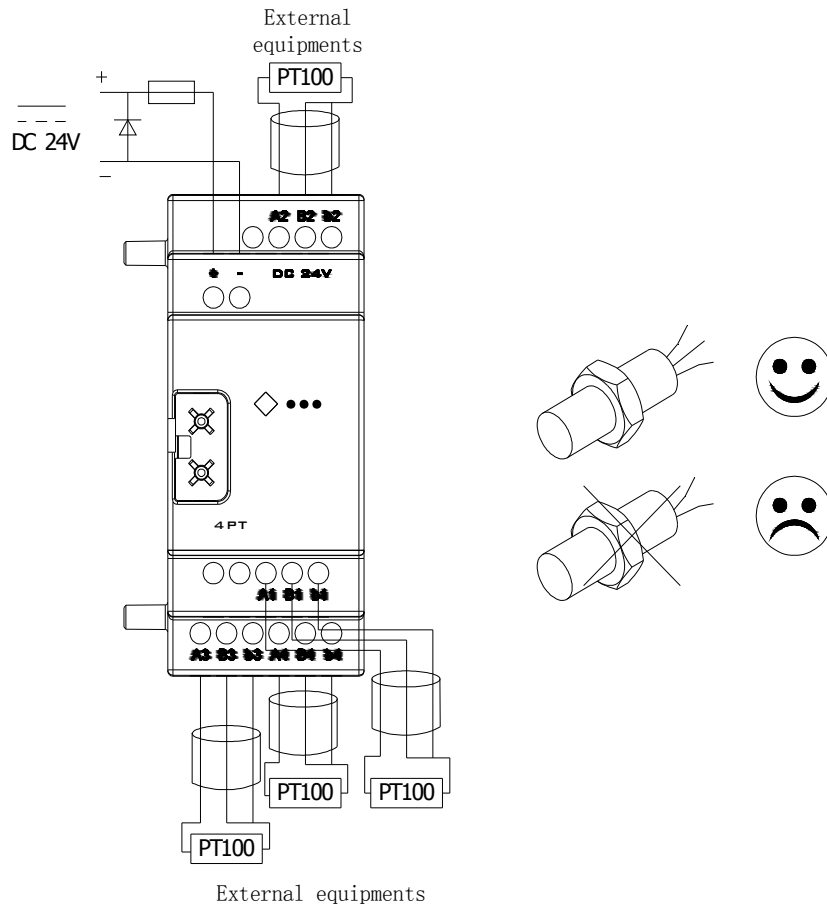
**DANGER:**

**HAZARDOUS VOLTAGE**

Cut off all power before maintenance.

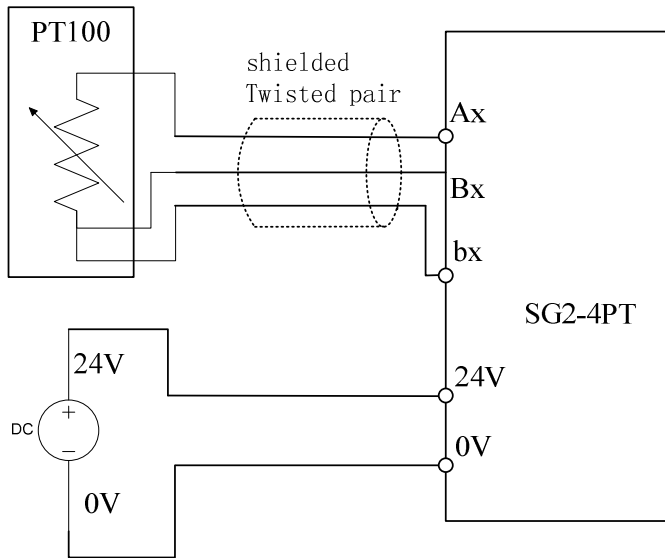
**Electric shock will result in death or serious injury.**

## Input 24V DC:



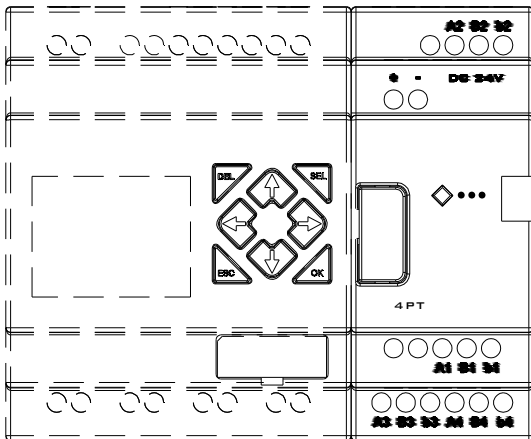
Item		Specifications (Analog input unit, 4 PT100 temperature input channel)
Temperature input range		-100°C ~ 600°C
Digital output		-100.0°C ~ 600.0°C
Resolution		0.1°C
Definition		±1%
The total channels		4 channels
Terminal Block Description	A1~A4	Heat sensor(PT100)signal input terminal A
	B1~B4	Heat sensor(PT100)signal input terminal B
	b1~b4	Heat sensor(PT100)signal input terminal b
+		+24V DC power supply input(+)
-		+24V DC power supply input(-)
The instruction of LED		LED : orange
Internal power supply		15V, -9V, 5V, 3.3V
External power supply		24VDC
Environment Temperature		-20°C ~ 50°C

**WIRING:**



**POWER SUPPLY**

**Following is what the LED working in different state means:**



◆	Power on the product, and connecting with front module ok
◆ ◆ ◆ ◆ ◆	Fast flashing, module in Fault mode - Date transfer error - Connecting with front module error