

Installation Instructions

4KA72X139W01

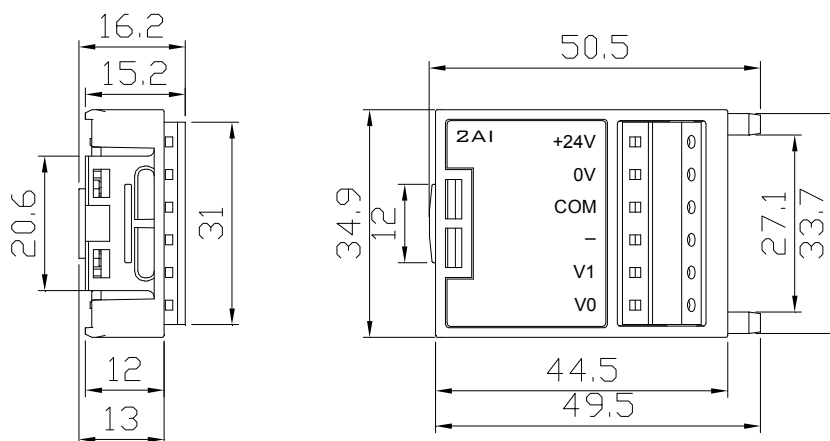
Ver:01

2007. 01

This sheet provides brief operating instructions of the 2AI module. For details, Please refer to the User' s Operation Manual.

◆ Dimension:

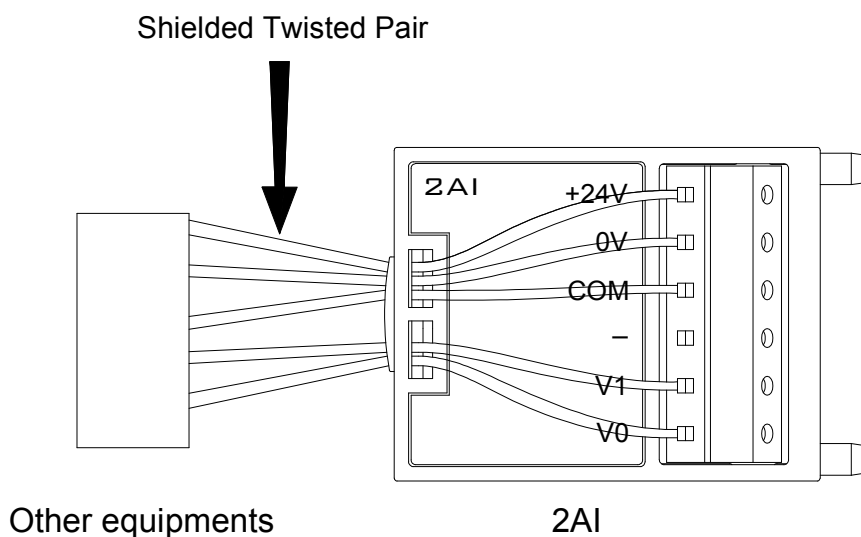
Unit: mm (1inch=25.4mm)



◆ Wiring:

Note 1: When using the 2AI communication connects, be sure to use the Shielded Twisted Pair to connect the line.

Note 2: “—” Please do not connect the line.



◆ **Installation steps:**

Turn off the PLC power supply, be sure to follow the procedures given below.

●: Open the PORT COVER, Shown as the fig (1)

●: Remove the OCV, Shown as the fig (1)

●: Pull the line from the uncork of the upper cover and connect with the 2AI, Shown as the fig (1)

●: Put the 2AI into the right position and close the PORT COVER, Shown as the fig (2)

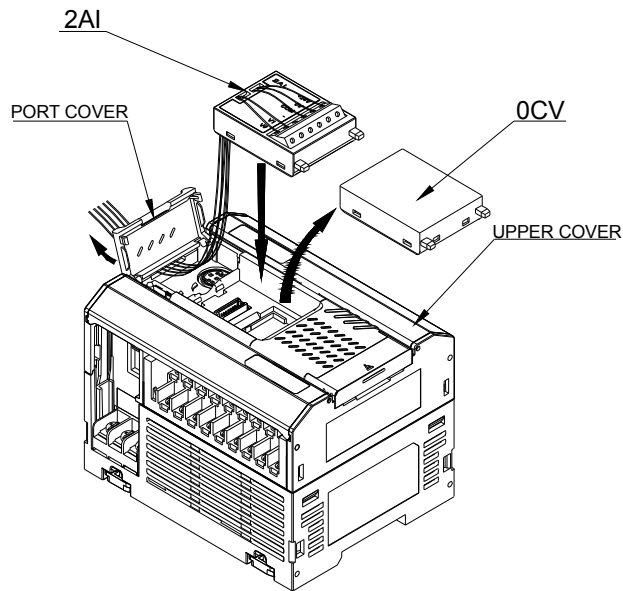


Fig (1)

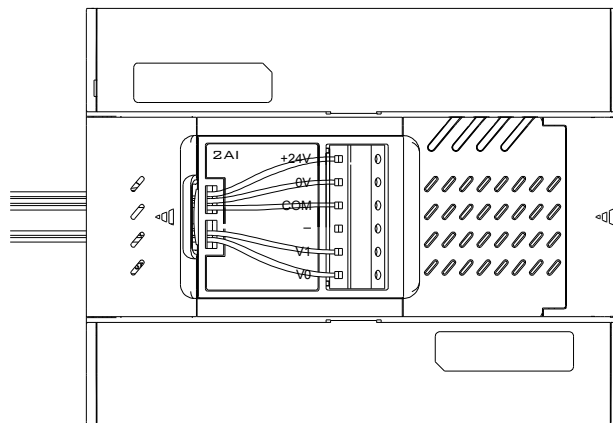


Fig (2)