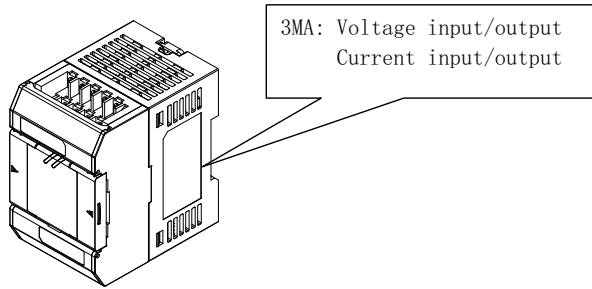


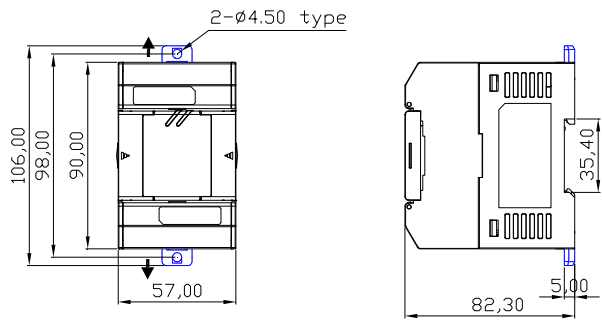
This sheet provides brief operating instructions of the PLC 3MA module. For details, please refer to the User's Operation Manual.

● 3MA module:

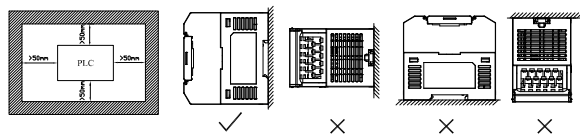
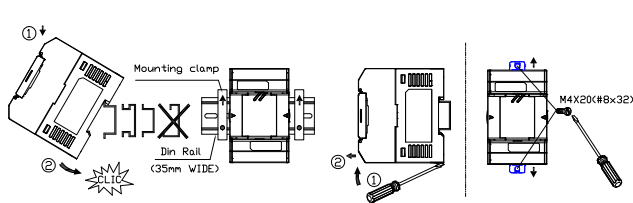


● Dimensions:

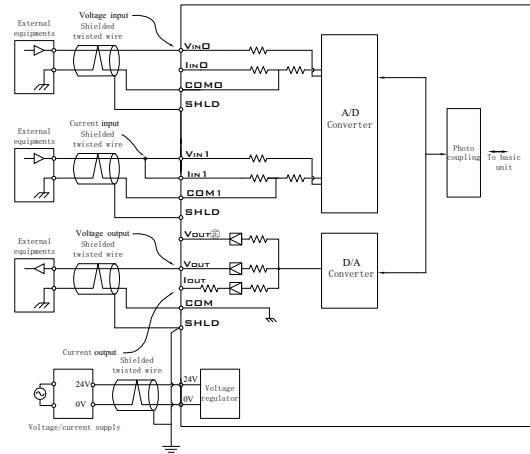
Unit: mm (1 inch = 25.4mm)



● Mounting:



● Wiring:



Note1: When Current input, be sure to connect the V terminal with the I terminal;

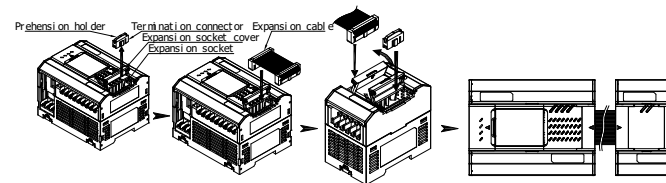
Note2: When Voltage input, Please not to connect the V terminal with the I terminal;

Note3: When connect electric wire, Please choose the suitable electric wire: AWG 22~14; screw torque value: 8Kg-cm.

● Installation for expansion cable and termination connector:

Turn off the PLC power supply, and be sure to follow the procedures given below, shown as the fig.

- (1) Open the expansion socket cover;
- (2) Withdraw the termination connector from the main type module at right side;
- (3) Plug the expansion cable to the expansion socket cover of the main type module;
- (4) Then plug the connector in the other end of expansion cable to the expansion socket cover of the expansion module;
- (5) And the termination connector should be installed in the other side of the expansion module;
- (6) Close the expansion socket cover.



Note 1: Please remove termination connector from the expansion socket by prehension holder.

Note 2: Please notice the direction when using expansion cable and termination connector.

● LED Display:

PWR LED and LNK LED are used to monitor the 3MA module power supply status.

LED state	Description	Corrective Actions
PWR LED		
OFF	No power supply or the 3MA module connect with the 5V power of main module is not ok	1. Verify the power supply of 3MA unit. 2. Verify the expansion cable connect is ok
Green on	The external 24V power supply is ok	

LNK LED		
OFF	The 3MA module connect with the 5V power of main module is not ok	Verify the expansion cable connect is ok
Green on	The 3MA module connect with the 5V power of main module is ok	

● Electricity function:

Item	Specification			
	Voltage		Current	
Input	Input range	0V~10V or 1V~5V	0mA~20mA or 4mA~20Ma	
		Input impedance 30KΩ	Input impedance 250Ω	
Input	Data range	0000 (0V) ~4000 (10V) or 0000 (1V) ~2000 (5V)	0000 (0mA) ~2000 (20mA) or 0000 (4mA) ~2000 (20mA)	
		Output range	Vout - COM	0V~10V or 1V~5V
Output	Vout± - COM		-10V~+10V	N.A.
	Output	Data range	0000 (0V) ~4000 (10V) or 0000 (1V) ~2000 (5V)	0000 (0mA) ~2000 (20mA) or 0000 (4mA) ~2000 (20mA)

● Terminal:

Vin0 ~ Vin1	Voltage output terminal, output voltage signal between terminal V and C.
In0 ~ In1	Current input terminals for Current signal between I,C and short circuit V, I.
COM0 ~ COM1	Common ground for Vin0~Vin1 or In1~In1
Vout or Vout±	Voltage output terminal, output voltage signal (-10V~+10V) between Vout and Cout terminal (Vout and Vout± can not be used at same time)
Iout	Current output terminal, output current signal(0~20mA) between Iout and Com.
COM	Common ground for Vout, Vout±, Iout
+24V	24VDC input terminal(+)
0V	24VDC input terminal(-)